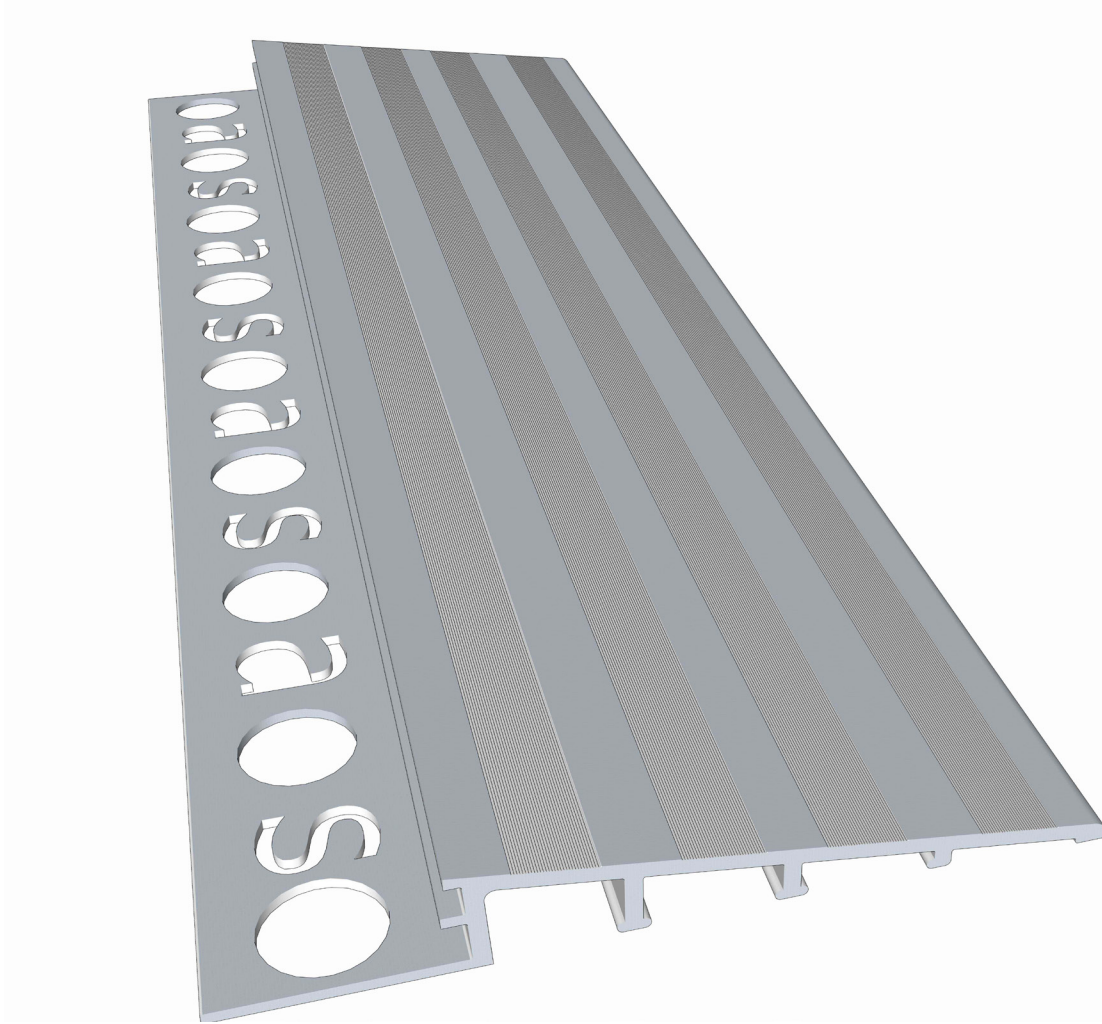
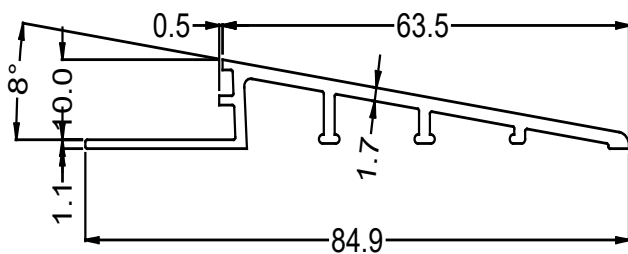


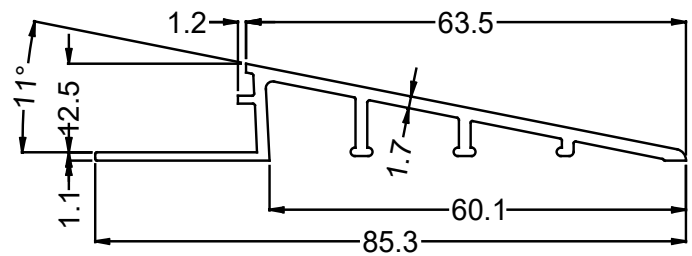
TOP VIEW:



SECTION: AA



3/8"-2.5"- Ramp

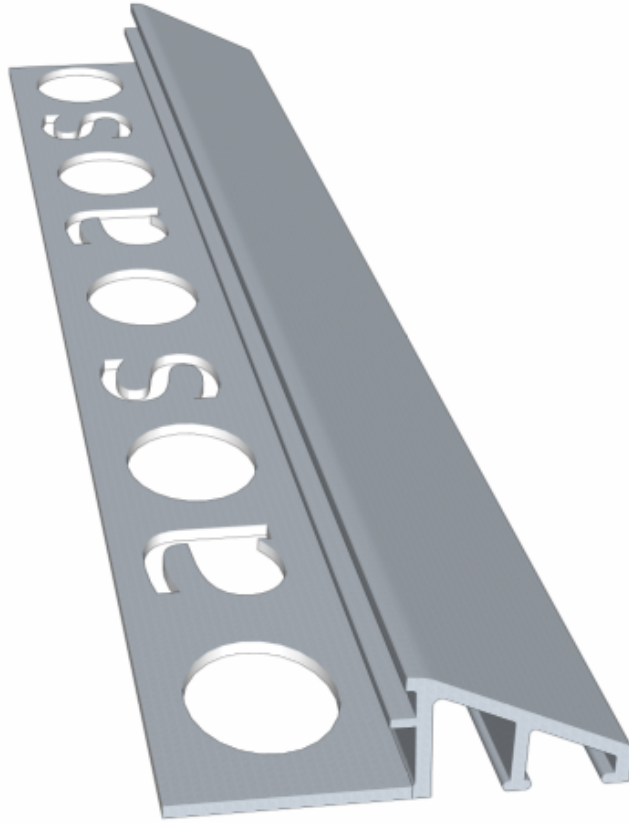


1/2"-2.5"- Ramp

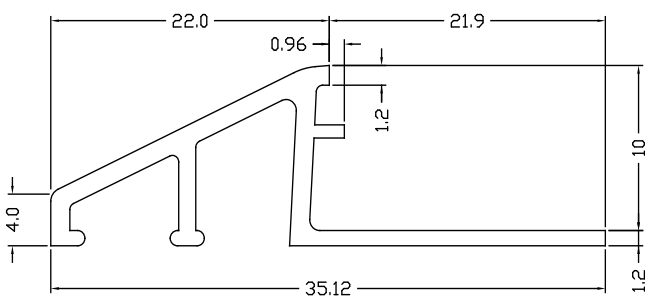
Dimensions are in MM

Stick Length = 2.5m

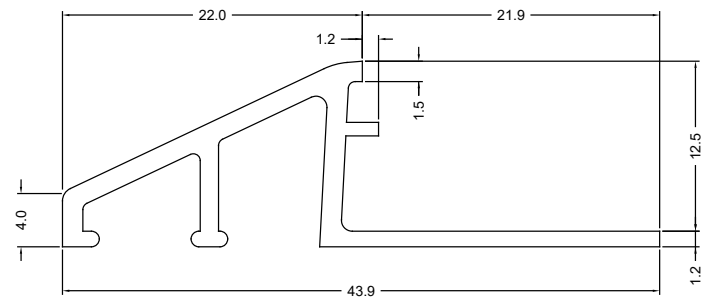
TOP VIEW:



SECTION: AA



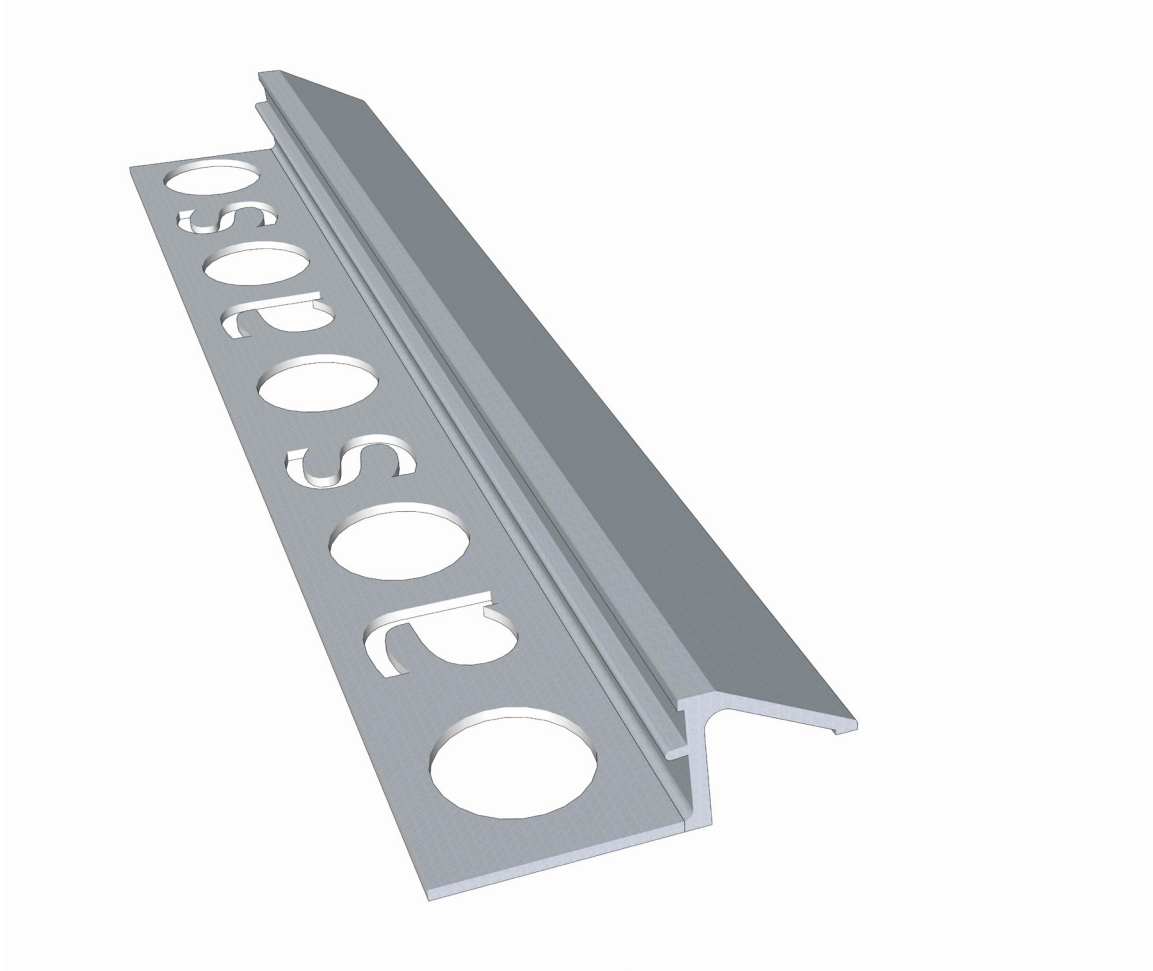
3/8"-Ramp-Type-2



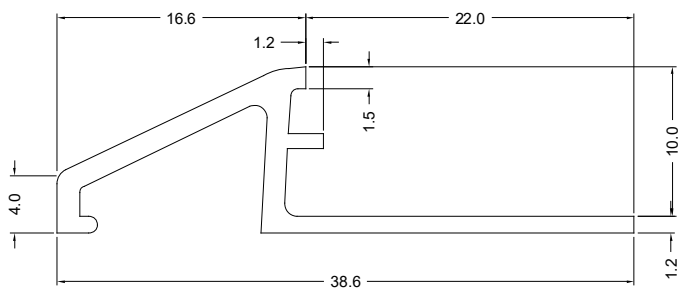
1/2"-Ramp-Type-2

Stick Length = 2.5m

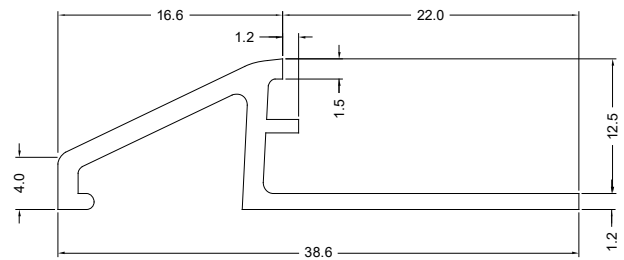
TOP VIEW:



SECTION: AA



3/8"-45 Deg Strip

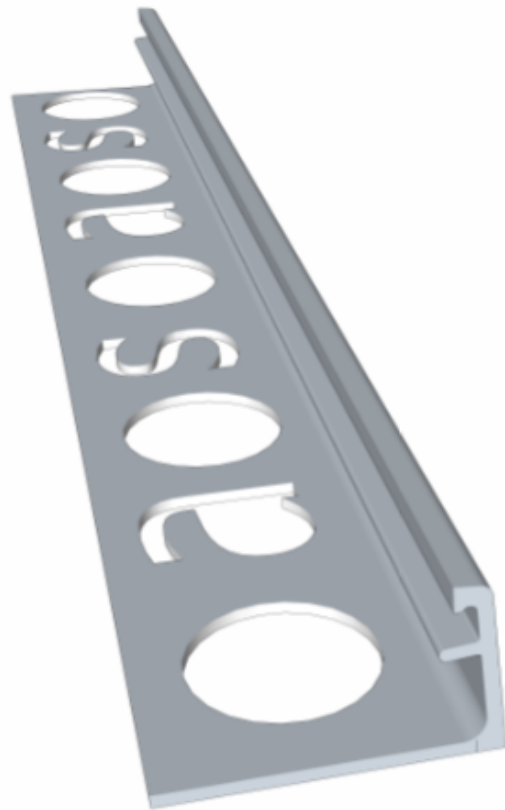


1/2"-45 Deg Strip

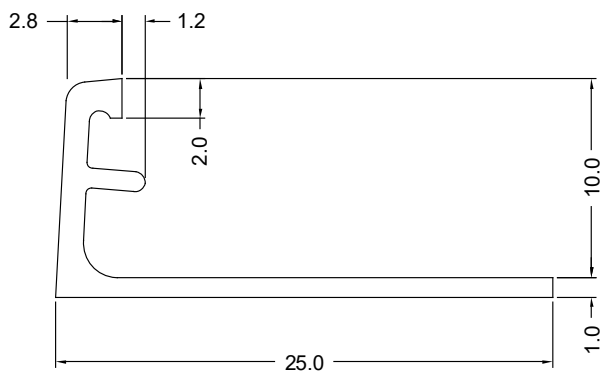
Dimensions are in MM

Stick Length = 2.5m

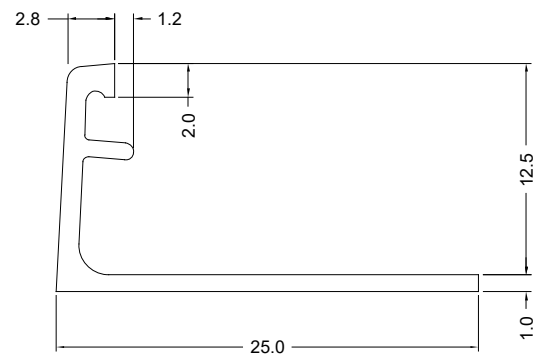
TOP VIEW:



SECTION: AA



3/8"-L-Channel



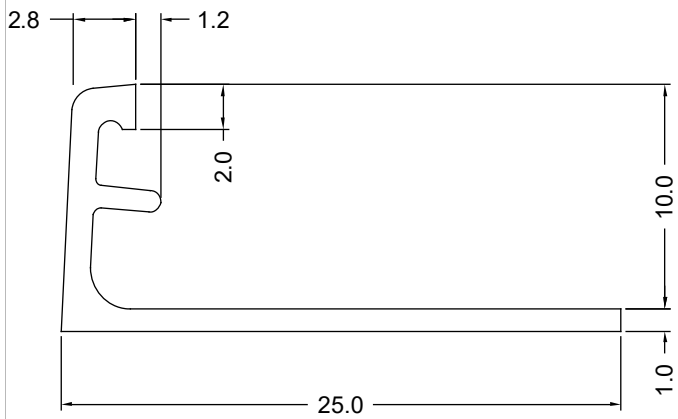
1/2"-L-Channel **Stick Length = 2.5m**

**Dimensions are in MM**

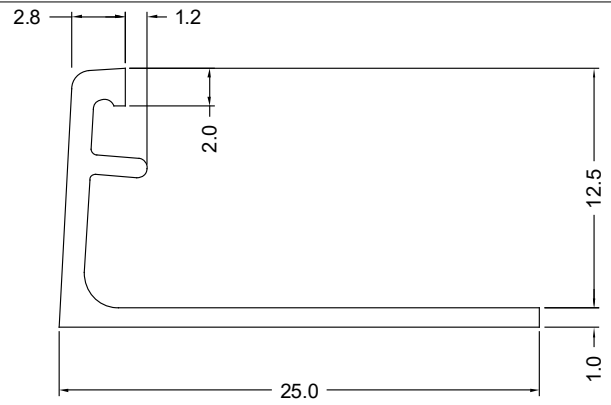
TOP VIEW:



SECTION: AA



3/8"-Bendable-L-Channel

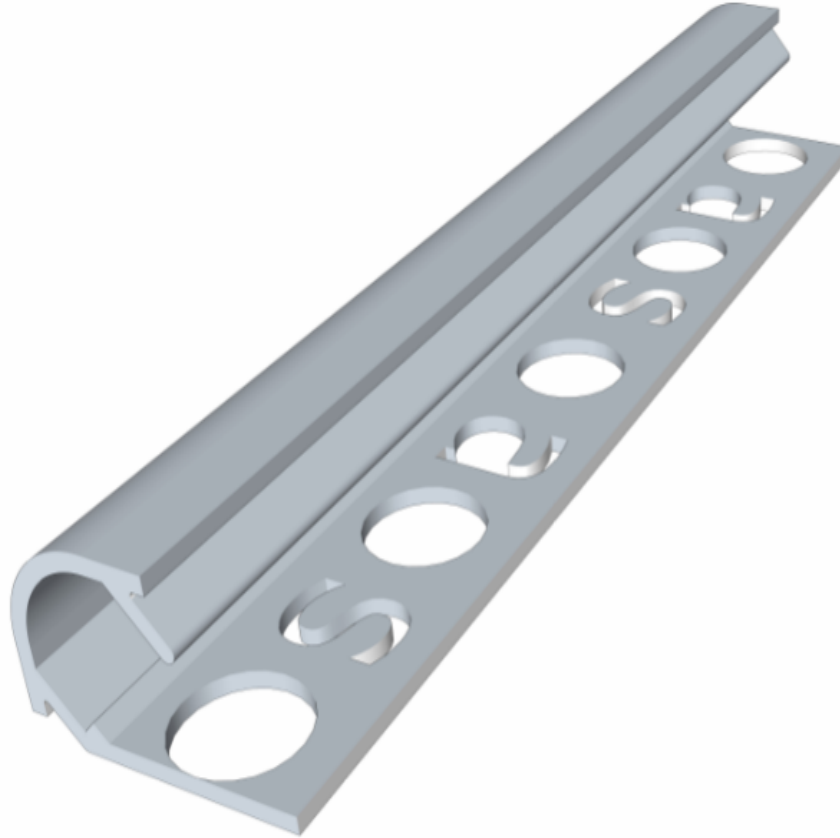


1/2"-Bendable-L-Channel

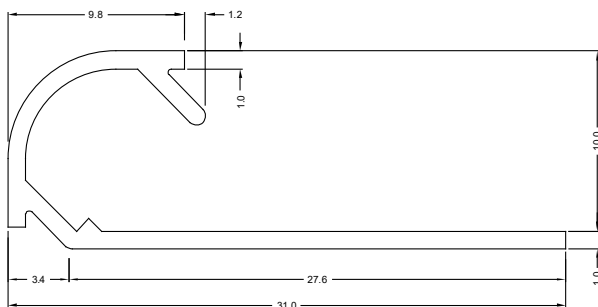
Dimensions are in MM

Stick Length = 2.5m

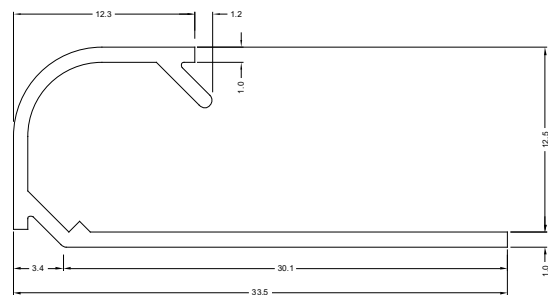
TOP VIEW:



SECTION: AA



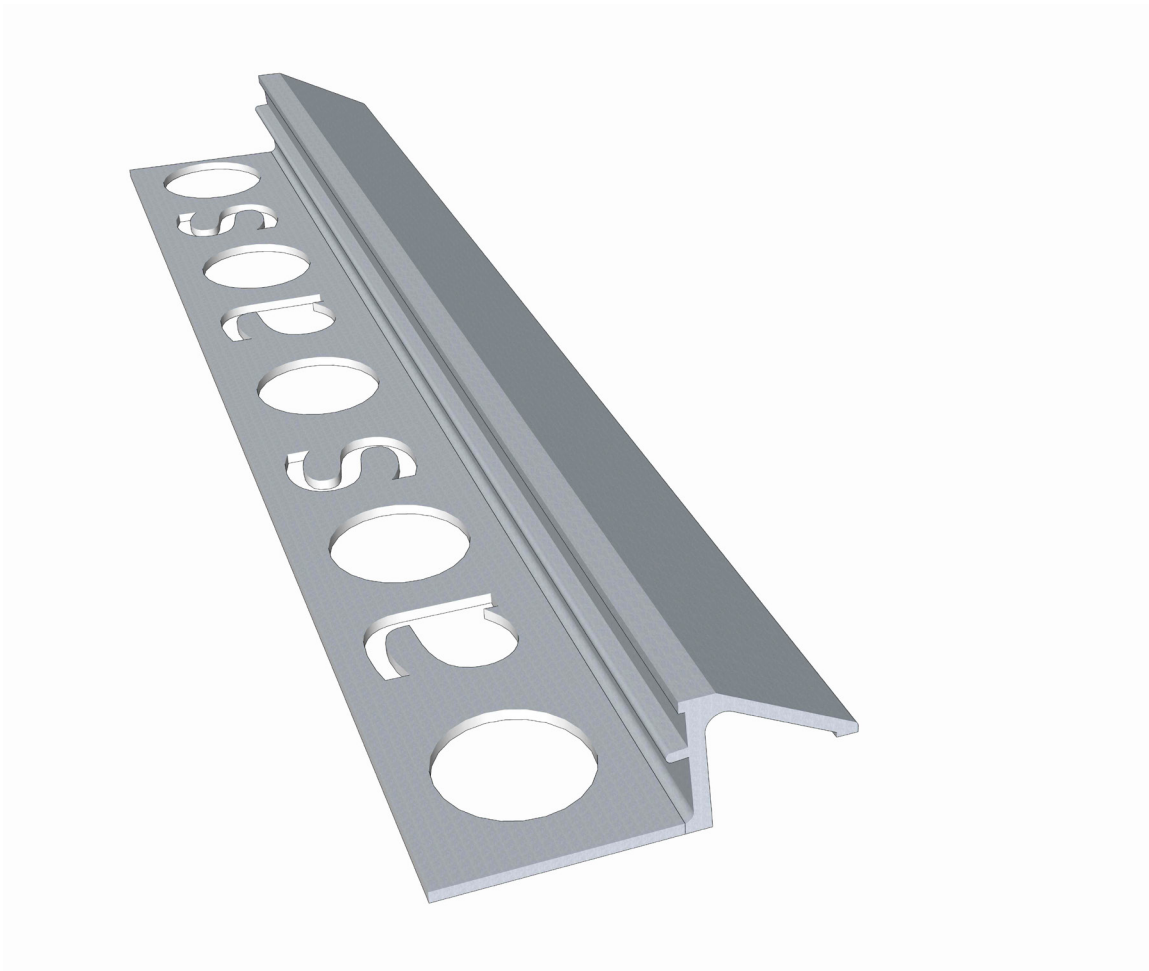
3/8"-Bull Nose



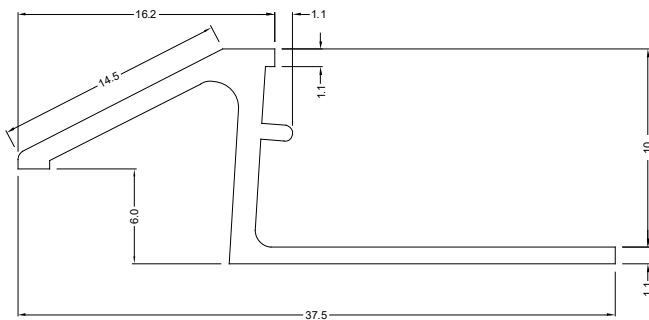
1/2"-Bull Nose  
Stick Length = 2.5m

Dimensions are in MM

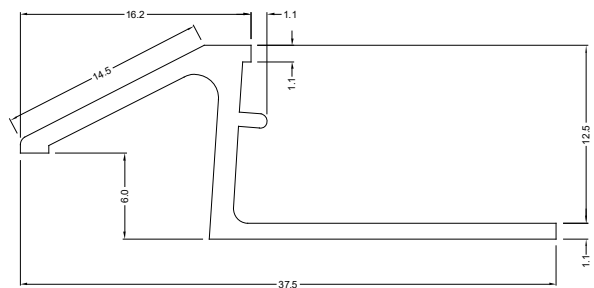
TOP VIEW:



SECTION: AA



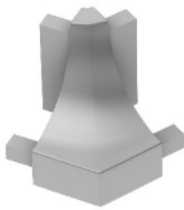
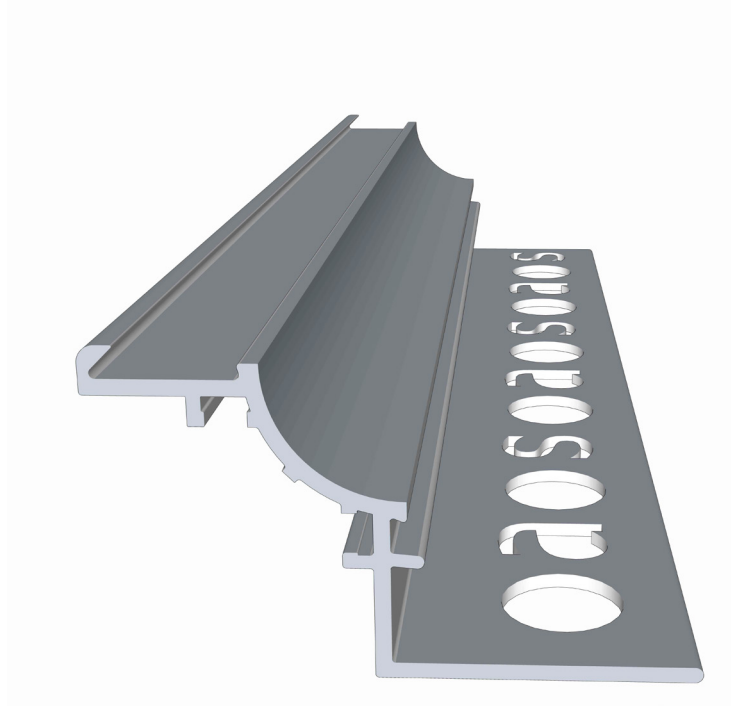
3/8"-Carpet Tuck



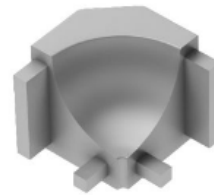
1/2"-Carpet Tuck

Stick Length = 2.5m

TOP VIEW:

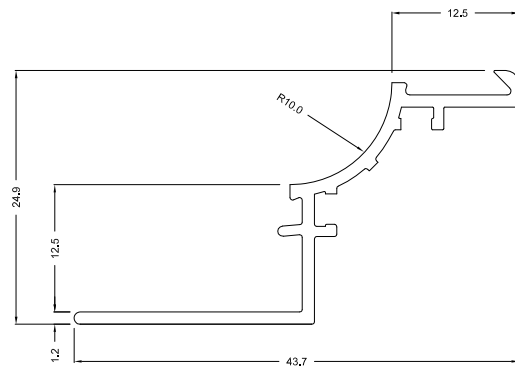
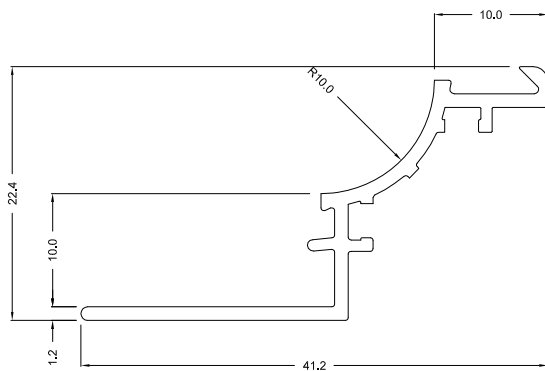


Outside Corner



Inside Corner

SECTION: AA



Dimensions are in MM

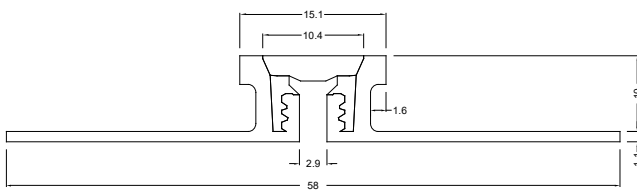
Stick Length = 2.5m



TOP VIEW:

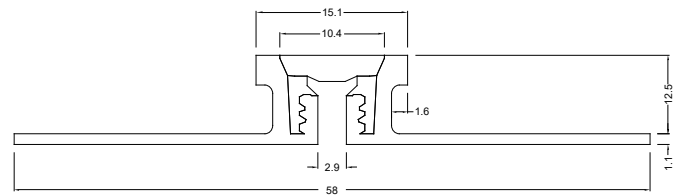


SECTION: AA



3/8"-Pre-fab Expansion Joint

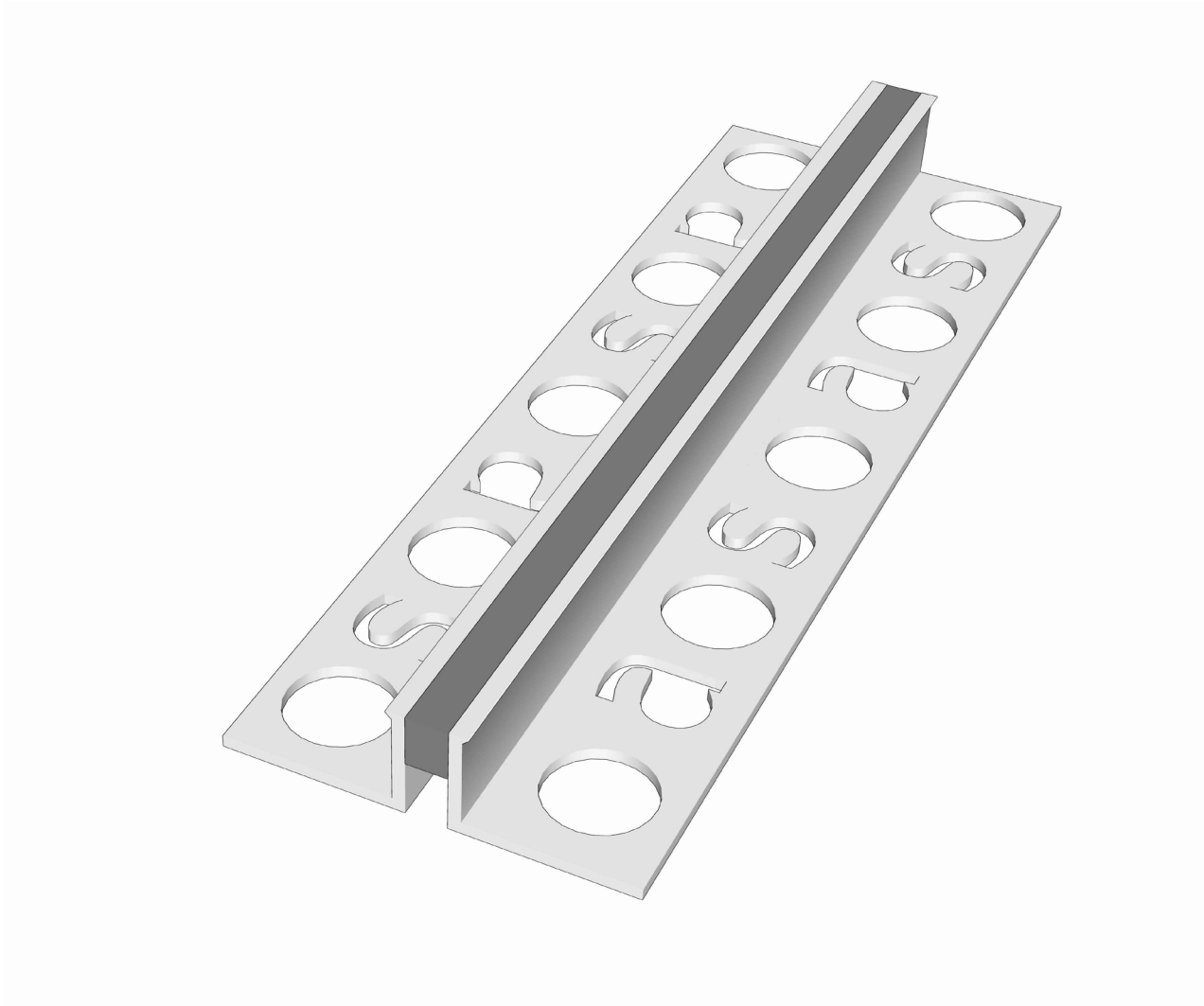
Dimensions are in MM



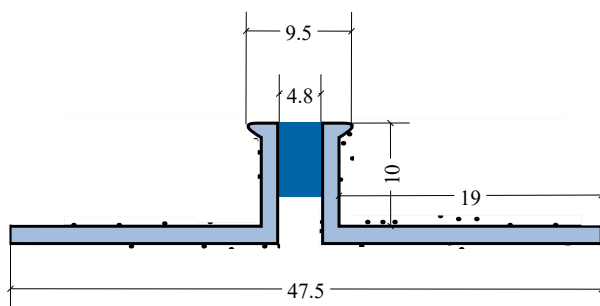
1/2"-Pre-Fab-Expansion Joint

Stick Length = 2.5m

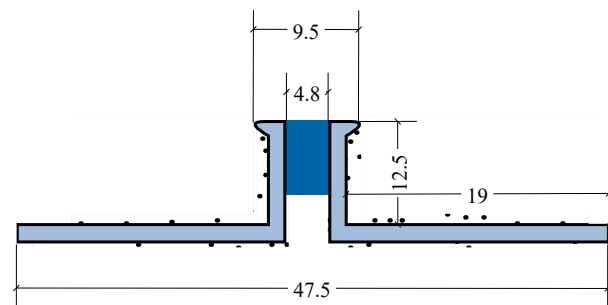
TOP VIEW:



SECTION: AA



3/8"-Expansion Joint-2



1/2"-Expansion

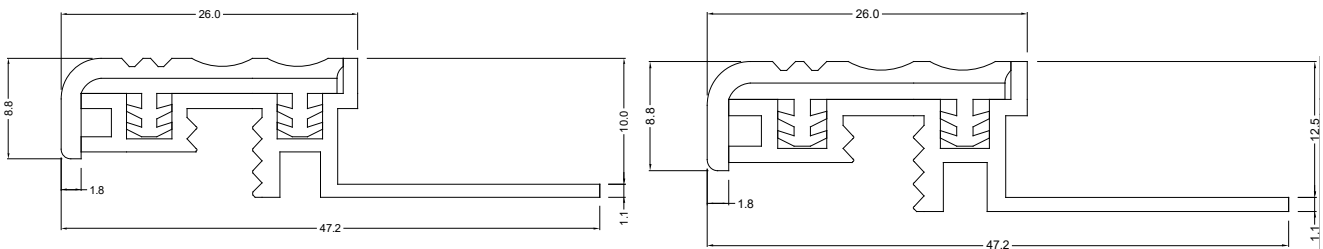
Dimensions are in MM

Stick Length = 2.5m

TOP VIEW:



SECTION: AA



3/8\"-Stair Nosing

Dimensions are in MM

1/2\"-Stair Nosing

Stick Length = 2.5m