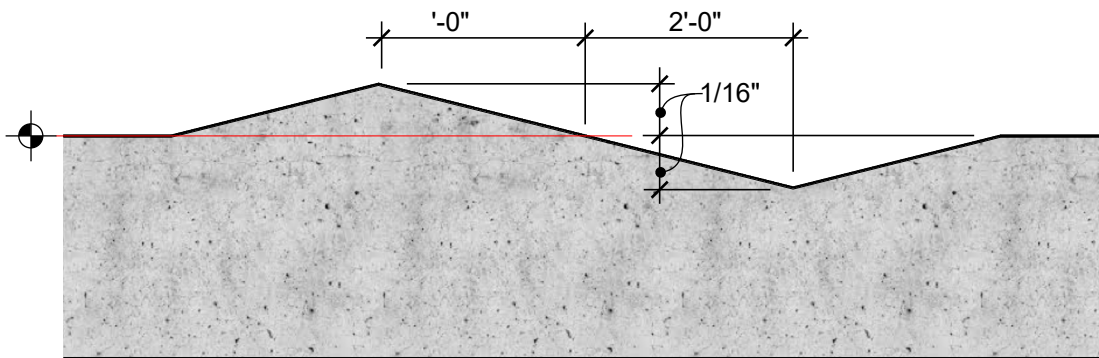




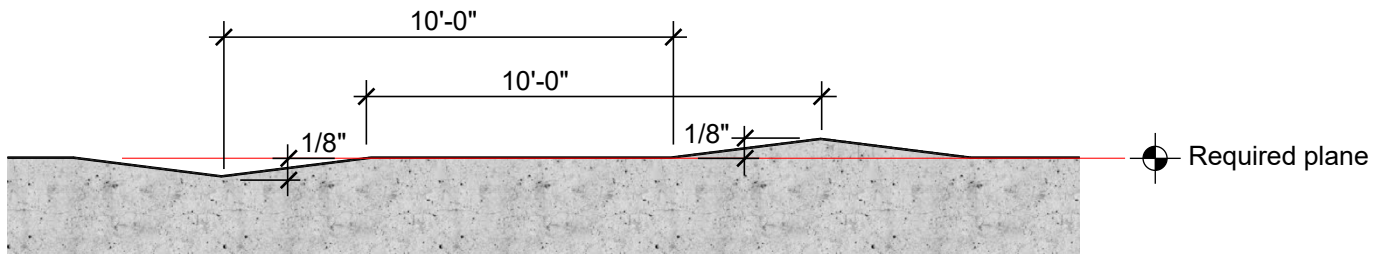
Audi

Showroom Floor Details

Slab Concrete Condition Concrete Floor Flatness



- 3 Concrete floor flatness for tile \geq 15 in. on one side
1/16" in 2 ft., max.



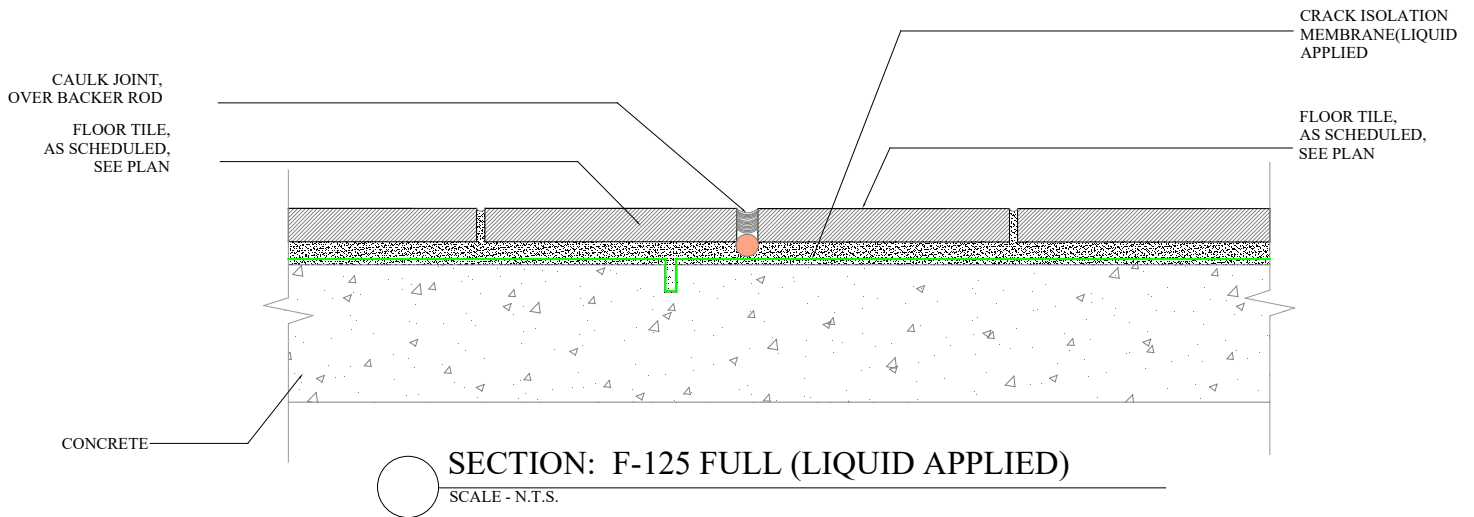
- 2 Concrete floor flatness for tile \geq 15 in. on one side
1/4" in 10 ft., max.



Audi

Showroom Floor Details

Crack Isolation with Soft Caulk- Full (TCNA F-125 Full)

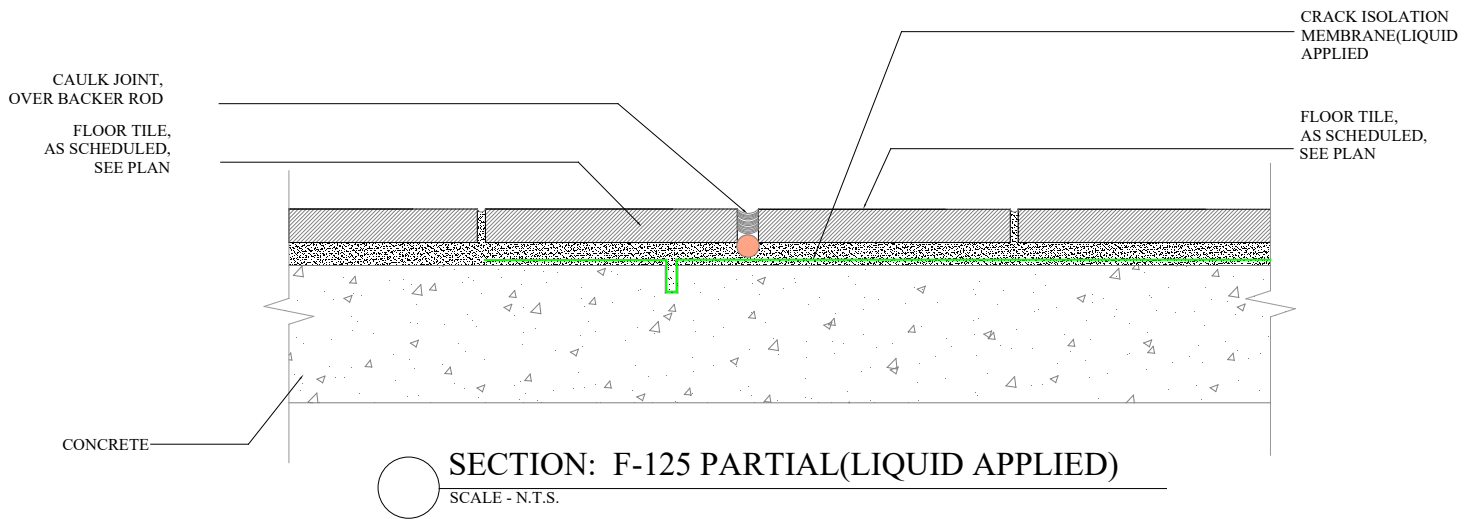




Audi

Showroom Floor Details

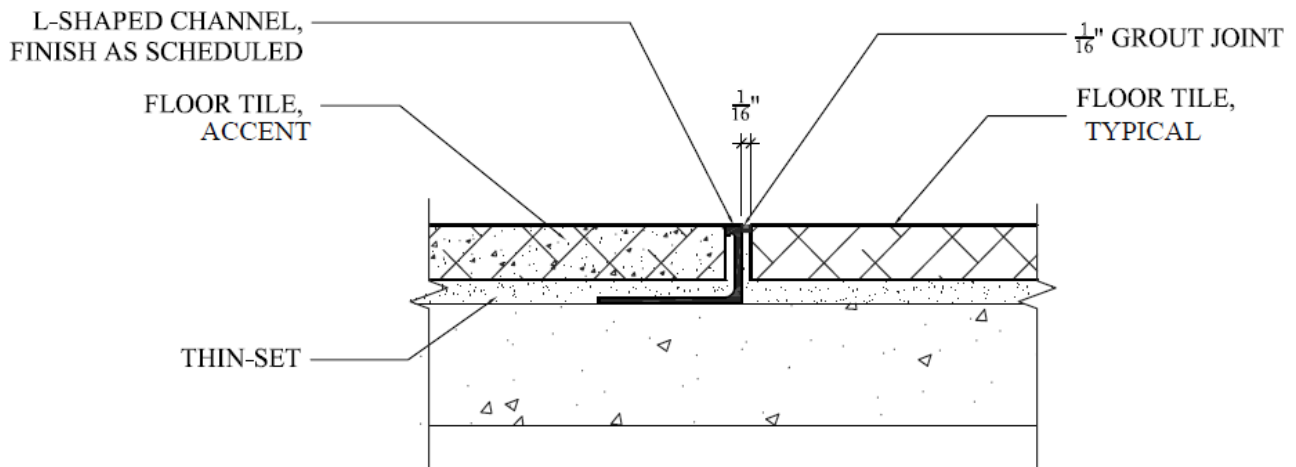
Crack Isolation with Soft Caulk- Full (TCNA F-125 Partial)





Audi

Showroom Floor Details Showroom Tile to Tile



A

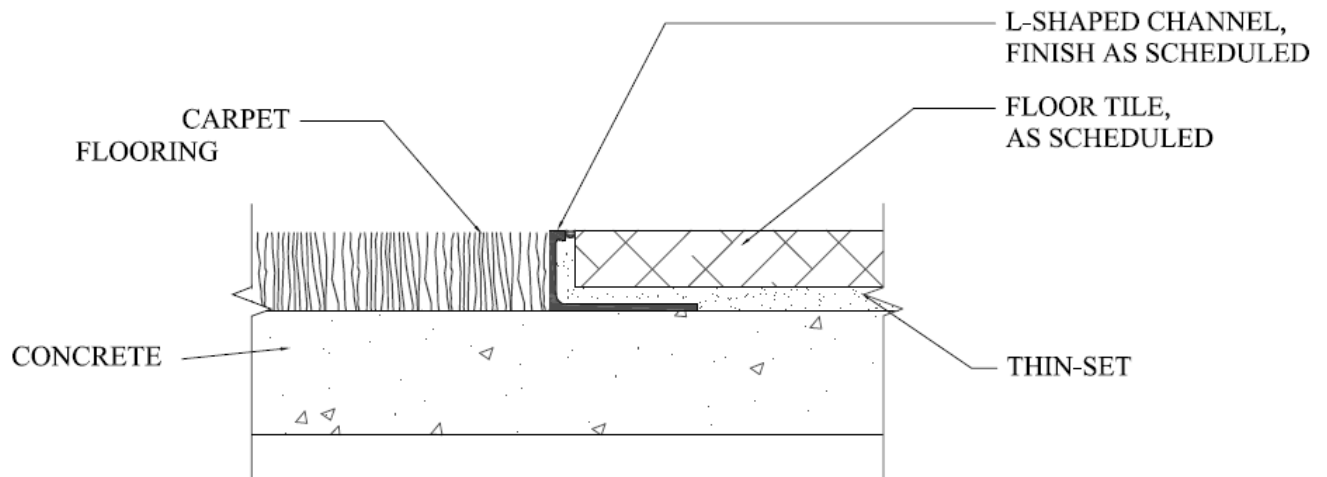
SECTION: TILE TO TILE - TRANSITION

SCALE - N.T.S.



Audi

Showroom Floor Details Showroom Tile To Carpet



E

SECTION: TILE TO CARPET - TRANSITION

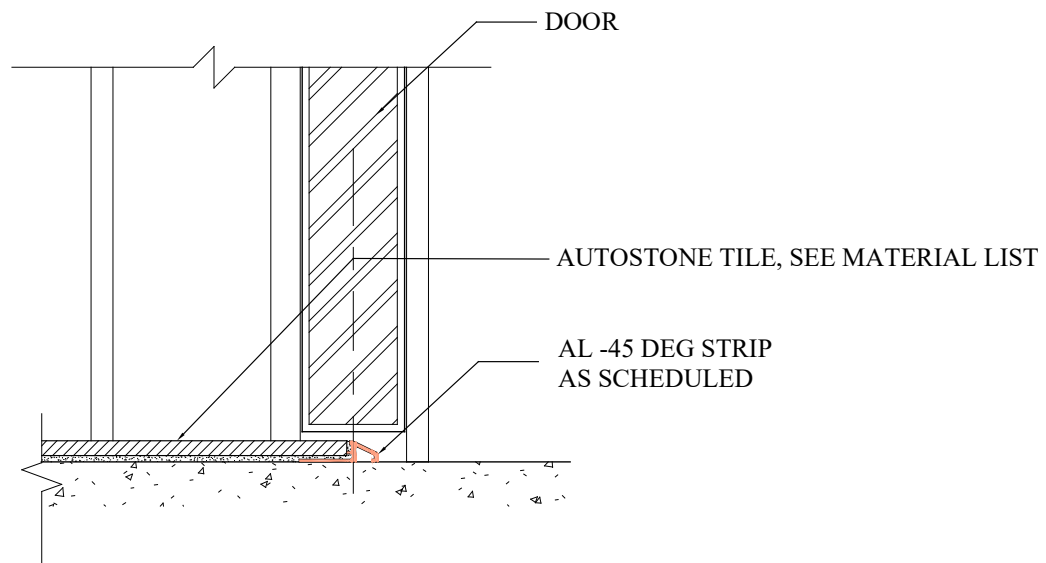
SCALE - N.T.S.



Audi

Showroom Floor Details

Showroom Tile to Conc/VCT Man Door



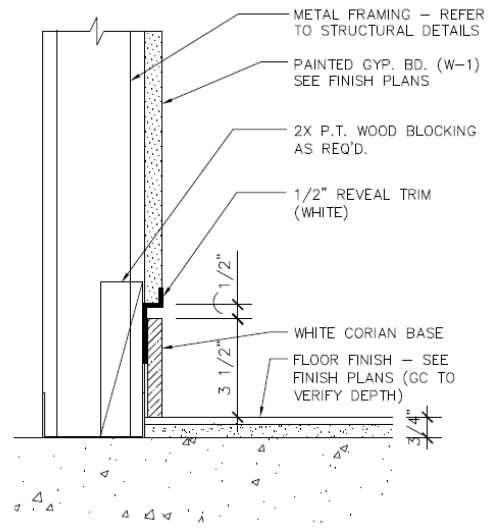
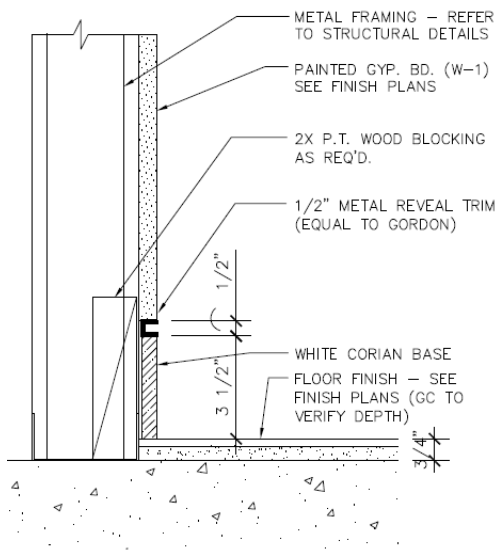
SECTION - TILE TO CONC
SCALE - N.T.S.



Audi

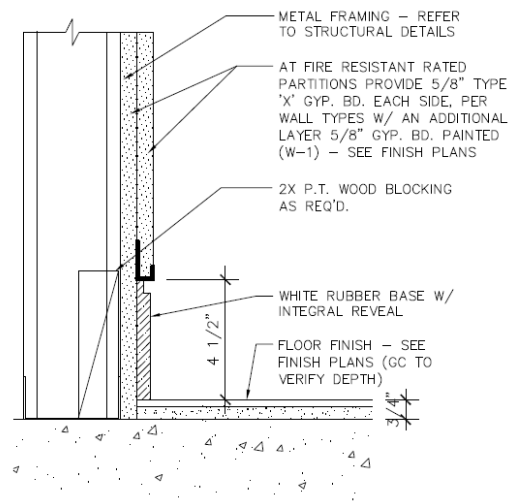
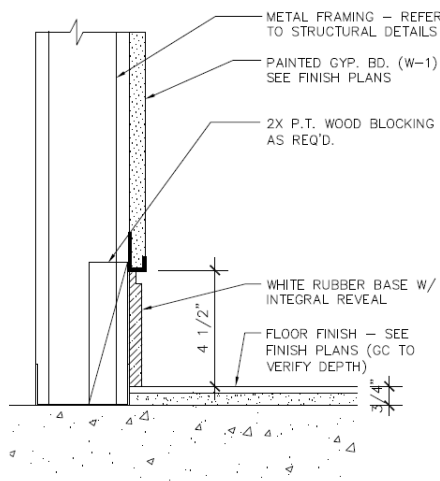
Showroom Floor Base Details

Showroom Base Options with 1/2" Metal Reveal



9 BASE DETAIL (OPTION 1)
SCALE: 3" = 1'-0"

10 BASE DETAIL (OPTION 2)
SCALE: 3" = 1'-0"



11 BASE DETAIL (OPTION 3)
SCALE: 3" = 1'-0"

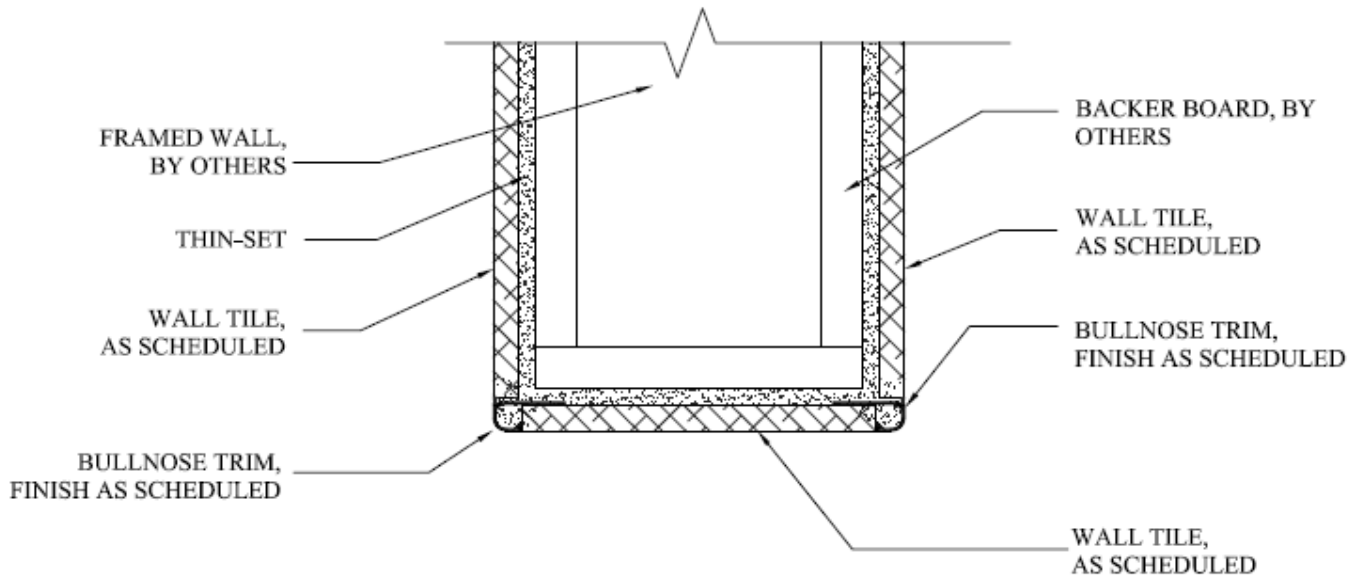
12 BASE DETAIL (OPTION 3) - FIRE RATED PARTITION
SCALE: 3" = 1'-0"



Audi

Showroom Restroom Wall Details

Bullnose Edge Outside Vertical Corner Wall Detail



SECTION - BULLNOSE EDGE OUTER CORNER

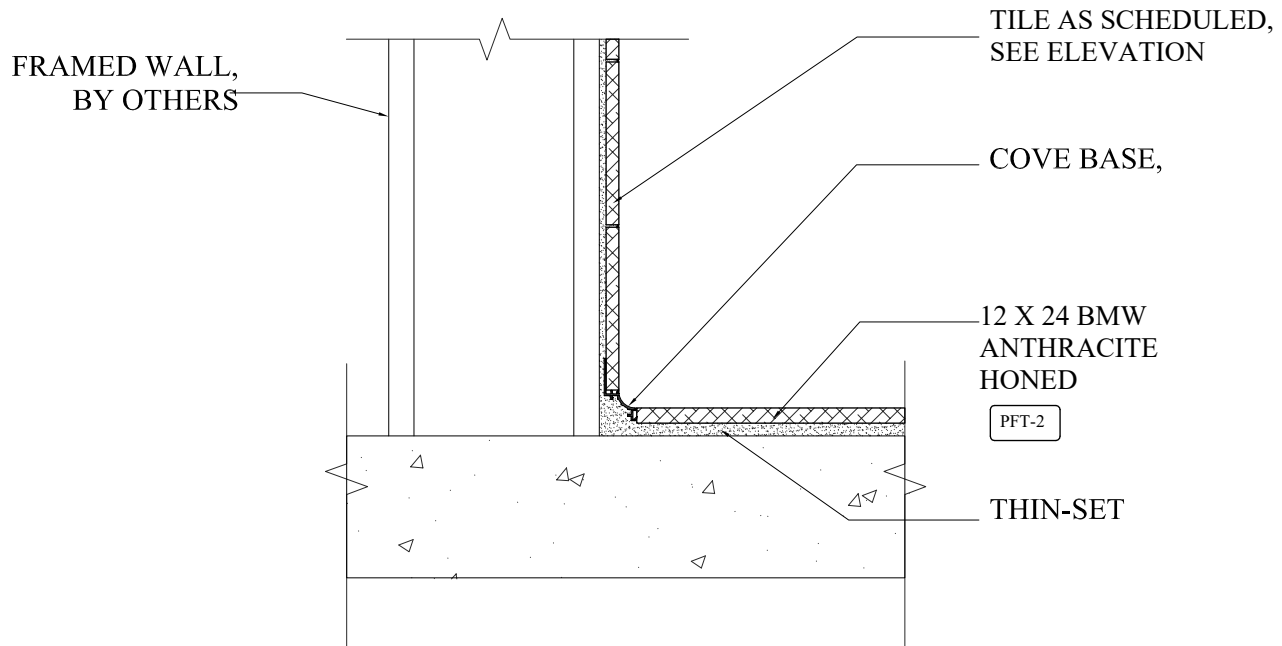
SCALE - N.T.S.



Audi

Showroom Restroom Wall Details

RR Floor to Wall – Cove Detail



SECTION - BASE TILE COVE -
SCALE - N.T.S.