



### Subaru Program Submittal. AutoStone specification sheet 2016 ver 07

AutoStone Floor Systems for your showroom customer areas and bathrooms. Note: brand program reflects use of 24" x 24" size with un-polished (natural | matte) finish on showroom floor. Bathroom areas reflect dealer choice of either polished or un-polished (natural | matte) finish on walls.

**CT-1 (floor) CWT-1 (walls)**  
Series: Premier.4  
Color: Charcoal  
Finish: Natural | Matte

Product Code: AS.P4.CH.UP.2424



24" x 24" (nominal)  
Actual: 600 mm x 600 mm

9.5 mm thickness. Rectified tile with beveled edge surface

Subaru Program Price:

**\$ 2.99 psf** (from AS warehouses)  
Tiles per carton: (4)  
SF per carton: 15.5 (sf)  
Cartons per pallet: (28)  
Weight per pallet: 2,070 lbs.

**CWT-2 (walls - alternate)**  
Series: Premier.4  
Color: Charcoal  
Finish: Polished

Product Code: AS.P4.CH.PO.2424



24" x 24" (nominal)  
Actual: 600 mm x 600 mm

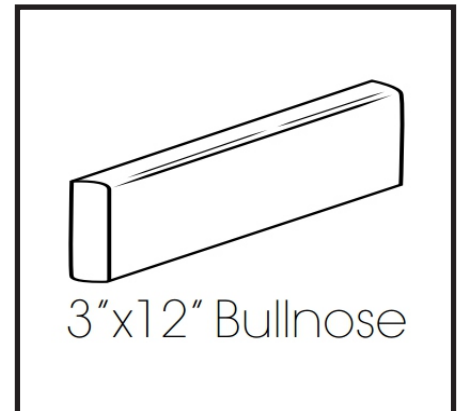
9.5 mm thickness. Rectified tile with beveled edge surface

Subaru Program Price:

**\$ 2.99 psf** (from AS warehouses)  
Tiles per carton: (4)  
SF per carton: 15.5 (sf)  
Cartons per pallet: (28)  
Weight per pallet: 2,070 lbs.

**CT-1 or 2 (floor) CWT-1 or 2 (walls)**  
Series: Premier.4  
Color: Charcoal  
Finish: Both Polished and Natural | Matte

Product Code: AS.P4.BN.0312.C.P  
Product Code: AS.P4.BN.0312.C.N



3"x12" Bullnose

03" x 12" nominal  
Actual: 75 mm x 300 mm  
Bullnose Base

9.5 mm thickness.

Subaru Program Price:

**\$ 2.99 plf** (from AS warehouses)  
Pieces per carton: (20)  
LF per carton: 20 (lf)  
Cartons per pallet: (60)  
Weight per pallet: 1,582 lbs.

Technical data and specifications for tile program (**Natural / Matte finish**):

Note: materials listed are stocked in the US and readily available for your Subaru project.

Call the Subaru hotline for information and a quote at: 800-625-5314 or email your Subaru team at: [subaru@autostoneusa.com](mailto:subaru@autostoneusa.com)

**Technical Data**

	ASTM	ISO	Value Required ANSI	Declared ASTM
Water Absorption	C373	ISO-10545/3	<=3%	<=0.1%
Break Strength	C648	ISO-10545/4	>= 250	Min. 300
Scratch Hardness	MOH's Scale	EN-101	-	6
Chemical Resistance	C650	ISO-10545/13	Unaffected	Unaffected
Frost Resistance	C1026	ISO-10545/12	Resistant	Resistant
Group	C1027	ISO-10545/7	-	4
Minimum Bond Strength (PSI)	C482	-	>=50 psi	165
Coefficient of Friction/dry	C1028	-	Varies	>=0.75
Coefficient of Friction/wet	C1028	-	Varies	>=0.60
Dynamic Coefficient of Friction (DCOF)	A137.1	-	>=0.42	>=0.55
Shade and Texture Rating	CTDA "V"	-	-	V3
Facial Dimensions	C499	ISO-10545/2	1.5% Max	Pass
Range of Thickness	C499	ISO-10545/2	0.040 Max	Pass
Warpage	C485	ISO-10545/2	0.75%	Pass
Wedging	C502	ISO-10545/2	1.0% Max	Pass



### Subaru Program Submittal. AutoStone specification sheet 2016 ver 07

AutoStone Floor Systems for your showroom customer areas and bathrooms. Note: brand program reflects use of 24" x 24" size with un-polished (natural | matte) finish on showroom floor. Bathroom areas reflect dealer choice of either polished or un-polished (natural | matte) finish on walls.

**CT-1 (floor) CWT-1 (walls)**  
Series: Premier.4  
Color: Charcoal  
Finish: Natural | Matte

Product Code: AS.P4.CH.UP.2424



24" x 24" (nominal)  
Actual: 600 mm x 600 mm

9.5 mm thickness. Rectified tile with beveled edge surface

Subaru Program Price:

**\$ 2.99 psf** (from AS warehouses)  
Tiles per carton: (4)  
SF per carton: 15.5 (sf)  
Cartons per pallet: (28)  
Weight per pallet: 2,070 lbs.

**CWT-2 (walls - alternate)**  
Series: Premier.4  
Color: Charcoal  
Finish: Polished

Product Code: AS.P4.CH.PO.2424



24" x 24" (nominal)  
Actual: 600 mm x 600 mm

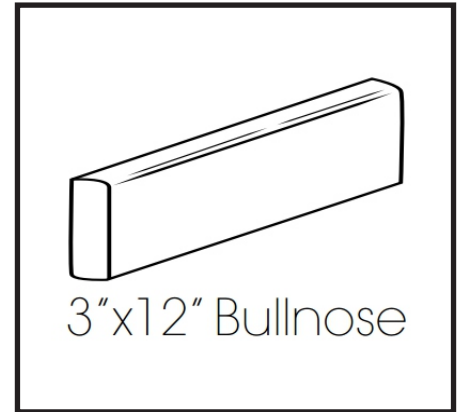
9.5 mm thickness. Rectified tile with beveled edge surface

Subaru Program Price:

**\$ 2.99 psf** (from AS warehouses)  
Tiles per carton: (4)  
SF per carton: 15.5 (sf)  
Cartons per pallet: (28)  
Weight per pallet: 2,070 lbs.

**CT-1 or 2 (floor) CWT-1 or 2 (walls)**  
Series: Premier.4  
Color: Charcoal  
Finish: Both Polished and Natural | Matte

Product Code: AS.P4.BN.0312.C.P  
Product Code: AS.P4.BN.0312.C.N



3"x12" Bullnose

03" x 12" nominal  
Actual: 75 mm x 300 mm  
Bullnose Base

9.5 mm thickness.

Subaru Program Price:

**\$ 2.99 plf** (from AS warehouses)  
Pieces per carton: (20)  
LF per carton: 20 (lf)  
Cartons per pallet: (60)  
Weight per pallet: 1,582 lbs.

Technical data and specifications for tile program (**Polished finish**):

Note: materials listed are stocked in the US and readily available for your Subaru project.

Call the Subaru hotline for information and a quote at: 800-625-5314 or email your Subaru team at: [subaru@autostoneusa.com](mailto:subaru@autostoneusa.com)

**Technical Data**

Technical Data	ASTM	ISO	Value Required ANSI	Declared ASTM
Water Absorption	C373	ISO-10545/3	<=3%	<=0.1%
Break Strength	C648	ISO-10545/4	>= 250	Min. 300
Scratch Hardness	MOH's Scale	EN-101	-	5
Chemical Resistance	C650	ISO-10545/13	Unaffected	Unaffected
Frost Resistance	C1026	ISO-10545/12	Resistant	Resistant
Group	C1027	ISO-10545/7	-	4
Minimum Bond Strength (PSI)	C482	-	>=50 psi	165
Coefficient of Friction/dry	C1028	-	Varies	>=0.80
Coefficient of Friction/wet	C1028	-	Varies	>=0.60
Dynamic Coefficient of Friction (DCOF)	A137.1	-	>=0.42	>=0.16
Shade and Texture Rating	CTDA "V"	-	-	V3
Facial Dimensions	C499	ISO-10545/2	1.5% Max	Pass
Range of Thickness	C499	ISO-10545/2	0.040 Max	Pass
Warpage	C485	ISO-10545/2	0.75%	Pass
Wedging	C502	ISO-10545/2	1.0% Max	Pass

\*\*\*Due to the high gloss in this product, in certain conditions, the reflection of the light may cause the optical effect of shadows in the product's surface.